

**Make possible to stabilize  
of optical measurement**

- For shielding of light on the optical bench
- For the fluorescent microscope
- For safety measure against leak of laser



**For optical measuring  
on the desk and table**

**Small type B-S-XX**

**For device that complex form**

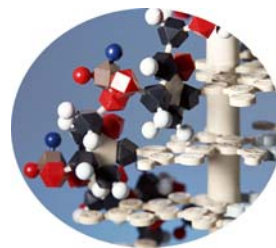
**For microscope B-M-XX**

**The treatment of preventing dust and static electricity are given to our darkroom.**

You can darken your work area locally.

**This darkroom can be used in the wide field.**

Working with microscope, Chemistry and the field of the material research...etc



**Custom made service**

(B-S-XX ~1.5meter)

(B-M-XX ~1meter)

**Make up easily by frame pipes!!**

Time:10min~30min

( Depends on the size )

**Instruction manual  
with pictures**

**Available at clean room**

(Only Strong magnet type)

# Small type (B-S-XX series)

Available at clean room (B-S-XX-CN)



Hook-and-loop  
fastener type

Set up Strong magnets Instead of  
Hook-and-loop fastener,



Strong magnet type  
(Available at clean room)

## For optical measuring on the desk and table

- The edges of curtain are stopped by Hook-and-loop fastener
- For clean room is used strong magnet type

| List (Standard) | Available at clean room | Size(mm) *(W)=Entrance     |
|-----------------|-------------------------|----------------------------|
| B-S1            | B-S1-CN                 | (W)500 × (D)500 × (H)400   |
| B-S2            | B-S2-CN                 | (W)500 × (D)500 × (H)600   |
| B-S3            | B-S3-CN                 | (W)500 × (D)700 × (H)400   |
| B-S4            | B-S4-CN                 | (W)500 × (D)700 × (H)600   |
| B-S5            | B-S5-CN                 | (W)700 × (D)500 × (H)400   |
| B-S6            | B-S6-CN                 | (W)700 × (D)500 × (H)600   |
| B-S7            | B-S7-CN                 | (W)700 × (D)700 × (H)400   |
| B-S8            | B-S8-CN                 | (W)700 × (D)700 × (H)600   |
| B-S9            | B-S9-CN                 | (W)1000 × (D)1000 × (H)900 |

**We can provide special size on request.**  
Width: ~1.5meter / Depth & High: ~1meter

## Specification

<Frame>diameter 30mm,plastic coating iron pipe

<Weight>6-10kg(the total of the frame and the dark curtain)

<The quality of dark curtain> The shield light ability is the first rank (100-99.99% shielding . Refer to a note 1 for the details.)

<Front side> Polyester 100% Non-flammable material.

<Rear side>Polyurethane black. Laminating processing. The treatment of preventing dust and static electricity.

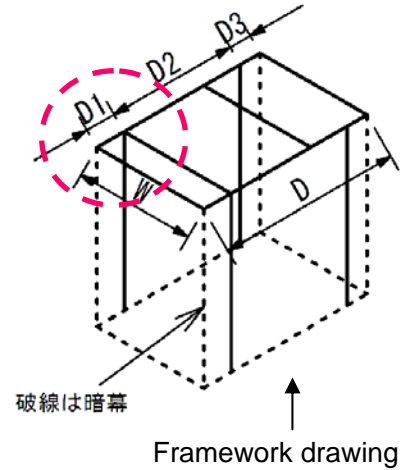
<Shielding light ability>At Visible ray, Ultraviolet ray and Infrared ray: more than 99.99%.( Refer to a note 1)

\*The skirt of dark curtain is made a little long to prevent optical omission.

\*Frame pipe and dark curtain are taken apart to ship them. The tools and the manual are packed with them.

# For microscope (B-M-XX series)

Available at clean room (B-M-XX-CN)



## The space is narrow or For device that complex form

- The edges of curtain are stopped by Hook-and-loop fastener
- For clean room is used strong magnet type
- \*The front of dark curtain can be fastened by the Hook-and-loop fastener

| List (Standard)  | Available at clean room | Size(mm) *(W)=Entrance  |
|--|-------------------------|---|
| B-M1   | B-M1-CN                 | (W)580 X (D)790 X (H)800<br>(D1) 200, (D2)540, (D3)50<br>Space to set a dark room<br>(W)580 X (D2)540 |
| B-M2   | B-M2-CN                 | (W)580 X (D)850 X (H)800<br>(D1) 200, (D2)600, (D3)50<br>Space to set a dark room<br>(W)580 X (D2)600 |
| <p><b>We can provide special size on request.</b><br/>Width: ~1.5meter / Depth &amp; High: ~1meter</p> |                         |   |

\*The specification of our product may be changed for the reason such as improvement and the progress of technology without notice.

2015/6/3

### SCIENTEX Inc.

Sales department (Business hour 9:00~18:00)  
1-4-10-4 Shinmiyakoda Kita-ku Hamamatsu-city  
Shizuoka-pref 431-2103 Japan  
URL <http://www.scientex.co.jp> E-mail [info@scientex.co.jp](mailto:info@scientex.co.jp)

### Overseas agency